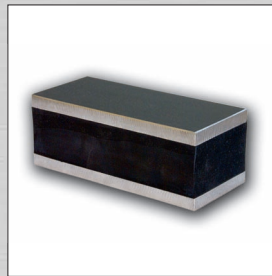


**GUANETA AG** 

---

## **RAILS**



**Type A/I**  
**Type A/II**  
**Type B**  
**Type C**  
**Type D**  
**Type F/I**  
**Type F/II**  
**Type U**

# RAILS

• **Description of parts and functions:**

GMT rails are used for the bedding of heavy-duty and extra-heavy-duty machinery and equipment. The vibration-damping bedding of engines, lathes, lifts, but also foundations, can be individually designed. This is made possible by a high degree of flexibility with regard to the available dimensions including prepared bore holes, threads or saw cuts. Designs with a steel plate on one side are used, for example, in gripping/lifting tools and machines and as stop rails.

• **Dimensions/spring parameters:**

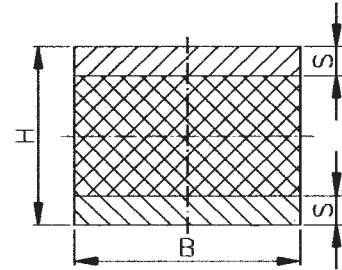
**TYPE A/I**

Elastomer: natural rubber (NR), alternatively other qualities

Soft = 40 ± 5° Shore A

Medium = 55 ± 5° Shore A

Hard = 70 ± 5° Shore A



The thickness of the steel can be chosen in other dimensions.

Item number	Dimensions				Pressure Load			
	B [mm]	H [mm]	L [mm]	S [mm]	fd [mm] (L=2xB)	40°	55°	70°
800 002	25	25	2000	5	0,75	160	345	740
					1,5	335	720	1.535
					2,25	530	1.125	2.405
800 003	25	30	2000	5	1	135	300	655
					2	280	625	1.360
					3	440	975	2.115
800 004	30	25	2000	5	0,75	265	555	1.180
					1,5	560	1.165	2.465
					2,25	890	1.845	3.880
800 005	30	30	2000	5	1	215	470	1.010
					2	450	975	2.100
					3	705	1.530	3.280
800 006	40	20	2000	5	0,5	1.090	2.065	4.150
					1	2.340	4.405	8.845
					1,5	3.780	7.095	14.210
800 007	40	35	2000	5	1,25	400	860	1.850
					2,5	835	1.795	3.845
					3,75	1.315	2.820	6.025
800 009	40	45	2000	5	1,75	335	750	1.635
					3,5	700	1.555	3.380
					5,25	1.085	2.420	5.260
800 010	50	35	2000	5	1,25	740	1.550	3.275
					2,5	1.555	3.250	6.850
					3,75	2.465	5.120	10.780
800 011	50	40	2000	5	1,5	640	1.375	2.945
					3	1.340	2.870	6.135
					4,5	3.115	4.510	9.620
800 012	50	45	2000	5	1,75	580	1.275	2.750
					3,5	1.210	2.650	5.710
					5,25	1.900	4.145	8.915
800 013	50	50	2000	5	2	542	1.210	2.620
					4	1.130	2.500	5.430
					6	1.770	3.900	8.460
800 014	50	55	2000	5	2,25	515	1.160	2.530
					4,5	1.070	2.400	5.240
					6,75	1.670	3.745	8.150
800 017	60	30	2000	10	0,5	4.785	8.670	17.050
					1	10.315	18.660	36.650
					1,5	16.770	30.270	59.400
800 018	60	35	2000	10	0,75	2.460	4.650	9.340
					1,5	5.270	9.915	19.900
					2,25	8.500	15.960	31.980
800 021	60	60	2000	10	2	860	1.875	4.050
					4	1.800	3.900	8.400
					6	2.825	6.115	13.150

# RAILS

## TYPE A/I

Item number	Dimensions				Pressure Load			
	B	H	L	S	fd in mm (L=2xB)	Fv in N		
						40°	55°	70°
800 022	60	80	2000	10	3	715	1.625	3.555
					6	1.480	3.360	7.345
					9	2.300	5.200	11.400
800 023	70	30	2000	10	0,5	8.565	15.360	30.050
					1	18.500	33.130	64.700
					1,5	30.150	53.900	105.100
800 025	70	45	2000	10	1,25	2.050	4.100	8.450
					2,5	4.370	8.650	17.800
					3,75	7.000	13.800	28.300
800 026	70	50	2000	10	1,5	1.675	3.450	7.170
					3	3.550	7.200	15.100
					4,5	5.650	11.450	23.850
800 028	70	60	2000	10	2	1.300	2.775	5.920
					4	2.725	5.800	12.350
					6	4.300	9.120	19.380
800 031	80	45	2000	10	1,25	3.180	6.190	12.650
					2,5	6.780	13.150	26.800
					3,75	10.900	21.050	42.800
800 032	80	60	2000	10	2	1.900	4.000	8.375
					4	4.000	8.300	17.500
					6	6.300	13.100	27.600
800 033	80	80	2000	10	3	1.430	3.170	6.850
					6	2.980	6.575	14.200
					9	4.680	10.270	22.200
800 038	100	45	2000	10	1,25	6.830	12.900	25.950
					2,5	14.630	27.550	55.290
					3,75	23.650	44.350	88.850
800 040	100	55	2000	10	1,75	4.300	8.500	17.550
					3,5	9.150	18.000	37.070
					5,25	14.650	28.750	59.000
800 041	100	60	2000	10	2	3.680	7.450	15.500
					4	7.800	15.700	32.615
					6	12.450	25.000	51.700
800 044	100	80	2000	10	3	2.560	5.500	11.800
					6	5.360	11.500	24.550
					9	8.450	18.000	38.450
800 045	120	45	2000	15	0,75	32.150	57.250	111.400
					1,5	69.500	123.600	240.400
					2,25	113.350	201.200	391.100
800 047	120	60	2000	15	1,5	9.850	18.600	37.350
					3	21.100	39.700	79.620
					4,5	34.050	63.800	127.900
800 049	120	80	2000	15	2,5	5.070	10.325	21.560
					5	10.750	21.750	45.350
					7,5	17.100	34.500	71.750
800 051	150	60	2000	15	1,5	21.900	40.350	80.050
					3	47.100	86.550	171.500
					4,5	76.400	140.000	277.000
800 057	200	100	2000	15	3,5	17.200	34.000	70.200
					7	36.550	72.100	148.250
					10,5	58.550	115.000	235.900
800 059	300	100	2000	15	3,5	68.350	128.000	256.300
					7	146.600	273.700	547.200
					10,5	237.100	441.300	880.500
800 060	400	100	2000	15	3,5	195.250	355.350	700.500
					7	420.800	764.000	1.504.300
					10,5	683.850	1.250.000	2.435.700

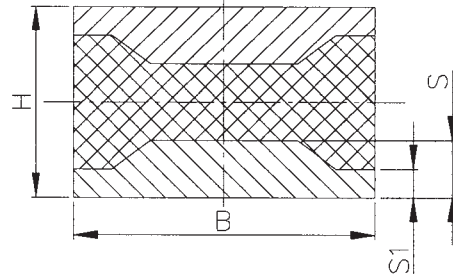
There is a possible deviation of approx. +/-20% in the above values due to production and hardness tolerances.

# RAILS

• **Dimensions/spring parameters:**

**TYPE A/II**

Elastomer: natural rubber (NR), alternatively other qualities  
 Soft =  $40 \pm 5^\circ$  Shore A  
 Medium =  $55 \pm 5^\circ$  Shore A  
 Hard =  $70 \pm 5^\circ$  Shore A



Item number	Dimensions [mm]					Pressure Load			
	B	H	L	s	s1	fd [mm] L = 2 x B	40 Sh-A	55 Sh-A	70 Sh-A
810 001	50	35	2000	10	5	1	864	1756	3663
						2	1825	3694	7690
						3	2903	5850	12154
810 002	50	40	2000	10	5	1.5	855	1796	3804
						2.5	1483	3104	6566
						3.5	2165	4517	9539
810 003	50	45	2000	10	5	1	406	877	1880
						3	1293	2778	5943
						5	2300	4916	10491
810 004	50	50	2000	10	5	1	317	698	1509
						3	997	2186	4718
						5	1747	3816	8221
810 005	50	55	2000	10	5	2	530	1181	2567
						4	1101	2449	5316
						6	1722	3818	8277
810 006	50	60	2000	10	5	2	448	1009	2204
						4	925	2081	4539
						6	1436	3223	7024
810 007	50	70	2000	10	5	2	343	785	1724
						4.5	795	1817	3989
						7	1276	2913	6392
810 008	60	35	2000	11	5	1	1683	3305	6781
						2	3586	7013	14357
						3	5759	11211	22901
810 009	60	60	2000	11	5	1	352	780	1690
						3	1095	2418	5234
						5	1896	4173	9020
810 010	70	30	2000	12	5	0.5	2983	5523	10991
						1	6258	11566	36155
						2	13871	25536	50654
810 011	70	45	2000	12	5	1	1128	2306	4823
						2.5	2981	6067	12664
						4	5064	10257	21361
810 012	70	55	2000	12	5	2	1322	2821	6016
						4	2776	5899	12557
						6	4388	9282	19721
810 013	70	60	2000	12	5	3	1644	3561	7643
						5	2856	6164	13211
						7	4178	8984	19226
810 014	70	70	2000	12	5	2	779	1731	3757
						5	2034	4507	9767
						8	3412	7532	16299

# RAILS

## TYPE A/II

Item number	Dimensions [mm]					fd [mm] L = 2 x B	Pressure load [N]		
	B	H	L	s	s1		40 Sh-A	55 Sh-A	70 Sh-A
810 015	70	80	2000	12	5	2	611	1380	3015
						6	1918	4319	9424
						10	3357	7536	16422
810 016	100	40	2000	15	5	1	6692	12520	25054
						2	14219	26530	53010
						3	22744	42317	84427
810 017	100	45	2000	15	5	1.5	6221	11925	24170
						2.5	10870	20782	42061
						3.5	15993	30493	61627
810 018	100	50	2000	15	5	1	2739	5387	11060
						3	8850	17320	35474
						5	15998	31142	63613
810 019	100	55	2000	15	5	1	1998	4017	8338
						3	6364	12741	26387
						5	11316	22548	46592
810 020	100	60	2000	15	5	2	3158	6465	13532
						4	6648	13555	28318
						6	10535	21387	44589
810 021	100	70	2000	15	5	3	3203	6764	14362
						5	5542	11669	24740
						7	8073	16942	35867
810 022	100	80	2000	15	5	2	1547	3353	7201
						5	4033	8713	18682
						8	6749	14526	31099

There is a possible deviation of approx. +/-20% in the above values due to production and hardness tolerances.

# RAILS

• **Dimensions/spring parameters:**

These designs can be created, in modular style, in different dimensions and constellations.

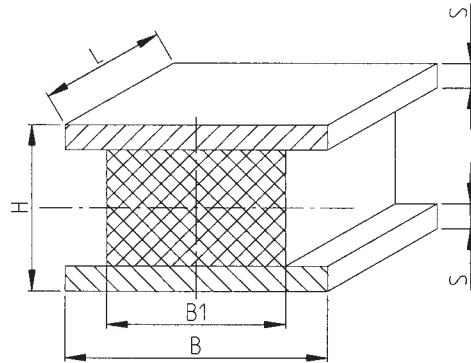
**TYPE B**

Elastomer: natural rubber (NR), alternatively other qualities

Soft =  $40 \pm 5^\circ$  Shore A

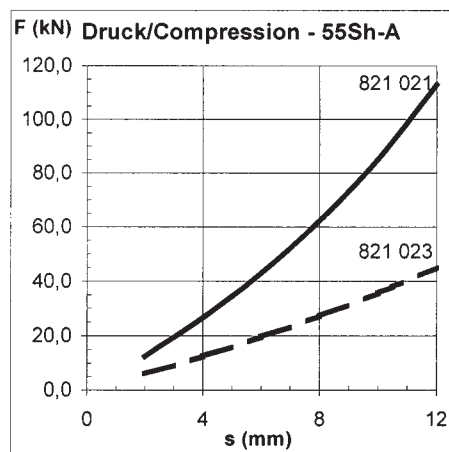
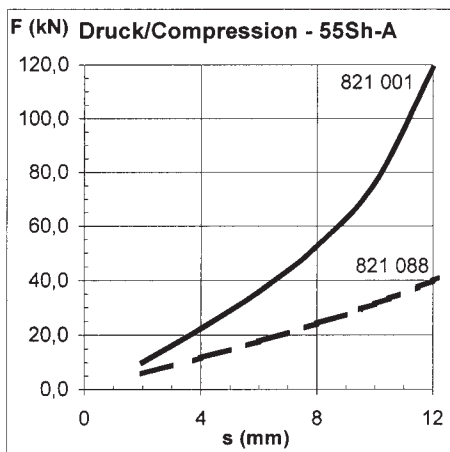
Medium =  $55 \pm 5^\circ$  Shore A

Hard =  $70 \pm 5^\circ$  Shore A



Item number	Dimensions					Pressure load	
	L [mm]	H [mm]	B [mm]	B1 [mm]	s [mm]	fd [mm]	Fv [kN] 55 Sh-A
821001	100	45	283	200	5	4	22,26
						8	52,49
						12	118,80
821088	100	60	283	200	5	4	11,64
						8	24,11
						12	39,69
821021	100	45	350	250	5	4	18,17
						8	41,65
						12	73,83
821023	100	60	350	250	5	4	9,50
						8	20,40
						12	33,20

• **Spring characteristics:**



There is a possible deviation of approx. +/-20% in the above values due to production and hardness tolerances.

# RAILS

• **Dimensions/spring parameters:**

These designs can be created, in modular style, in different dimensions and constellations.

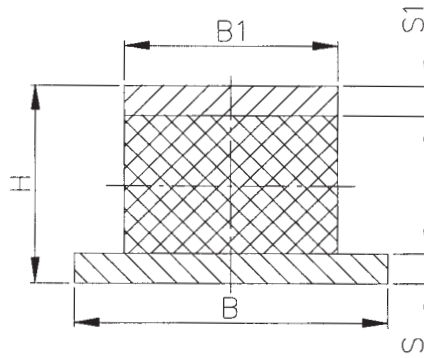
**TYPE C**

Elastomer: natural rubber (NR), alternatively other qualities

Soft =  $40 \pm 5^\circ$  Shore A

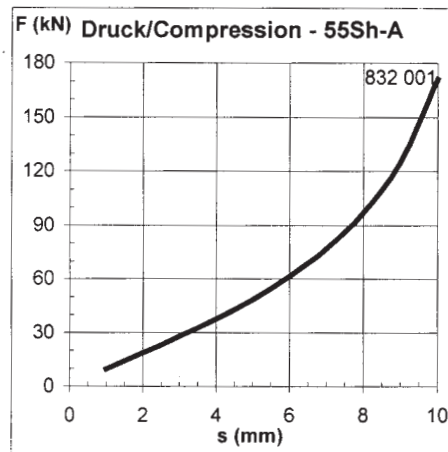
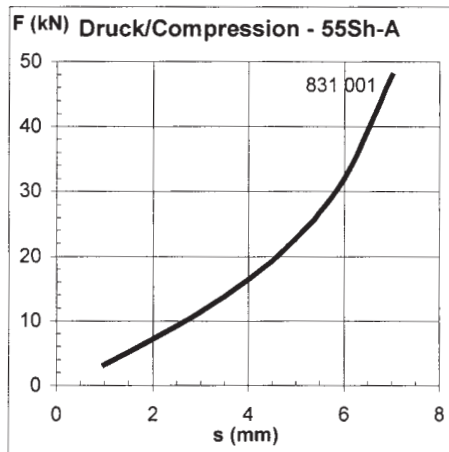
Medium =  $55 \pm 5^\circ$  Shore A

Hard =  $70 \pm 5^\circ$  Shore A



Item number	Dimensions						Pressure load	
	B [mm]	B1 [mm]	H [mm]	L [mm]	s [mm]	s1 [mm]	fd [mm]	Fv [kN] 55 Sh-A
831001	200	150	40	50	8	12	1	3.21
							3	11.43
							5	22.80
							7	47.90
832001	470	230	60	100	15	15	1	9.33
							3	27.85
							5	48.62
							7	76.96

• **Spring characteristics:**



There is a possible deviation of approx. +/-20% in the above values due to production and hardness tolerances.

# RAILS

• **Dimensions/spring parameters:**

These designs can be created, in modular style, in different dimensions and constellations.

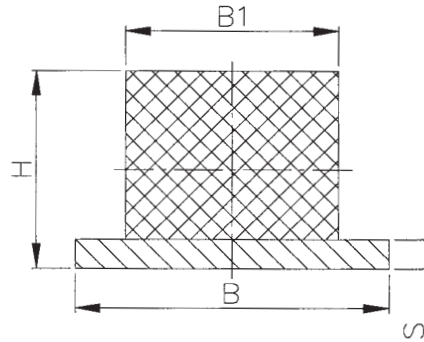
**TYPE D**

Elastomer: natural rubber (NR), alternatively other qualities

Soft =  $40 \pm 5^\circ$  Shore A

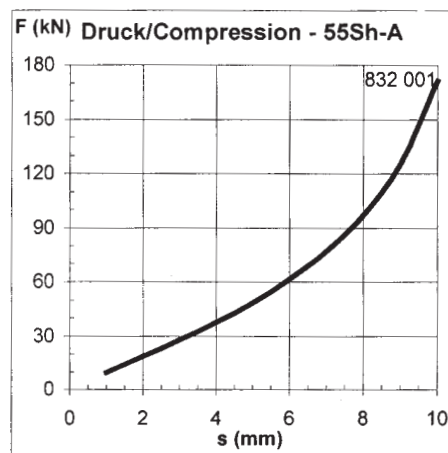
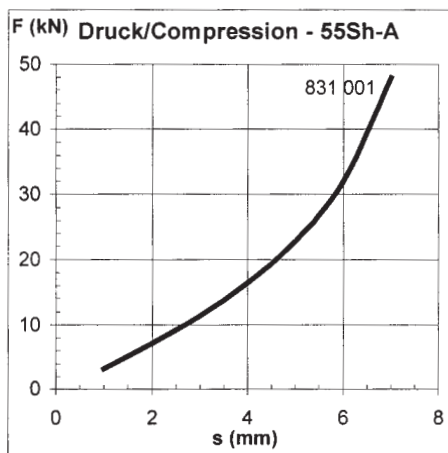
Medium =  $55 \pm 5^\circ$  Shore A

Hard =  $70 \pm 5^\circ$  Shore A



Item number	Dimensions					Pressure load	
	B [mm]	B1 [mm]	H [mm]	L [mm]	s [mm]	fd [mm]	Fv [kN] 55 Sh-A
840001	130	70	35	50	5	2	1.40
						4	2.84
						6	4.41
						8	6.38
						10	9.50
842002	300	200	80	150	15	2	6.81
						6	20.15
						12	42.37
						16	61.58
						20	90.86

• **Spring characteristics:**



There is a possible deviation of approx. +/-20% in the above values due to production and hardness tolerances.



# RAILS

• **Dimensions/spring parameters:**

These designs can be created, in modular style, in different dimensions and constellations.

**TYPE F//**

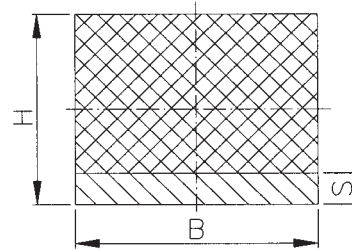
Elastomer: natural rubber (NR), alternatively other qualities

Soft = 40 ± 5° Shore A

Medium = 55 ± 5° Shore A

Hard = 70 ± 5° Shore A

The thickness of the steel can be chosen in other dimensions.



Item number	Dimensions				Pressure load			
	B [mm]	H [mm]	L [mm]	S [mm]	fd [mm] (L=2xB)	Fv [N]		
						40°	55°	70°
850 002	25	25	2000	5	1	135	300	655
					3	440	980	2115
					5	810	1780	3840
850 003	25	30	2000	5	2	200	460	1010
					4	430	970	2130
					8	1000	2230	4860
850 004	30	25	2000	5	2	450	975	2100
					4	990	2135	4575
					8	2565	5405	11460
850 005	30	30	2000	5	2	315	700	1520
					4	670	1490	3230
					8	1575	3455	7450
850 006	40	20	2000	5	1	860	1720	3565
					3	3070	6060	12470
					5	6350	12360	25235
850 007	40	35	2000	5	3	746	1645	3555
					6	1635	3575	7715
					9	2735	5925	12730
850 009	40	45	2000	5	3	485	1100	2410
					6	1025	2320	5070
					9	1640	3690	8055
850 010	50	35	2000	5	3	1340	2870	6135
					6	2975	6315	13445
					9	5050	10605	22470
850 011	50	40	2000	5	3	1025	2245	4835
					6	2220	4825	10375
					9	3645	7865	16860
850 012	50	45	2000	5	3	830	1840	4000
					6	1765	3905	5430
					9	2840	6250	13510
850 013	50	50	2000	5	4	945	2120	4620
					8	2025	4535	9865
					12	3305	7345	15935
850 014	50	55	2000	5	4	810	1840	4025
					8	1725	3895	8515
					12	2770	6230	13585
850 017	60	30	2000	10	1	1645	3235	6640
					3	5615	10945	22380
					5	10885	21020	42755
850 018	60	35	2000	10	1	1005	2045	4270
					3	3295	6670	13885
					5	6090	12225	25350
850 020	60	50	2000	10	4	1795	3905	8395
					8	3965	8545	18300
					12	6680	14250	30395
850 021	60	60	2000	10	4	1255	2800	6085
					8	2680	5955	12915
					12	4335	9570	20710

# RAILS

## TYPE F/I

Item number	Dimensions				Pressure Load			
	B	H	L	S	fd in mm (L=2xB)	Fv in N		
						40°	55°	70°
850 022	60	80	2000	10	4	785	1800	3960
					8	1635	3740	8220
					12	2555	5840	12815
850 023	70	30	2000	10	1	2750	5290	10740
					3	9470	18065	36525
					5	18515	35020	70475
850 025	70	45	2000	10	2	1665	3485	7375
					4	3535	7365	15545
					8	8105	16695	35040
850 026	70	50	2000	10	2	1300	2775	5920
					4	2725	5795	12350
					8	6065	12790	27130
850 028	70	60	2000	10	4	1845	4050	8740
					8	3965	8650	18635
					12	6455	13990	30040
850 031	80	45	2000	10	2	2470	5060	10600
					4	5260	10735	22435
					8	12180	24565	51055
850 032	80	60	2000	10	4	2615	5650	12105
					8	5660	12130	25925
					12	9270	19725	42020
850 033	80	80	2000	10	4	1530	3440	7495
					8	3205	7170	15605
					12	5040	11245	24435
850 038	100	45	2000	10	2	4955	9810	20205
					4	10635	20955	43060
					8	25005	48730	99600
850 040	100	55	2000	10	4	6035	12400	25995
					8	13415	27320	57050
					12	22730	45850	95305
850 041	100	60	2000	10	4	4870	10180	21505
					8	10635	22065	46465
					12	17630	36275	76095
850 044	100	80	2000	10	4	2670	5850	12625
					8	5605	12245	26385
					12	8875	19305	41510
850 045	120	45	2000	15	2	13405	25295	50845
					4	29490	55385	111055
					8	73640	136890	272980
850 047	120	60	2000	15	4	10605	21170	43780
					8	23795	47100	97020
					12	40770	79945	163905
850 049	120	80	2000	15	4	4950	10485	22285
					8	10535	22195	47070
					12	16915	35435	74960
850 051	150	60	2000	15	4	22075	42610	86665
					8	50065	95920	194350
					12	86815	164955	332795
850 057	200	100	2000	15	4	12945	26445	55305
					8	27275	55500	115840
					12	43265	87660	182585
850 059	300	100	2000	15	4	47960	92135	186935
					8	102045	195345	395625
					12	163565	311930	630520
850 060	400	100	2000	15	4	132135	244995	487875
					8	282665	522670	1039290
					12	455580	840025	1667750

There is a possible deviation of approx. +/-20% in the above values due to production and hardness tolerances.

# RAILS

• **Dimensions/spring parameters:**

These designs can be created, in modular style, in different dimensions and constellations.

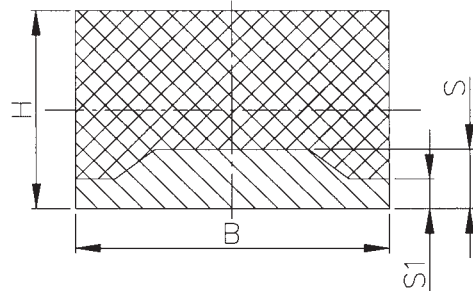
**TYPE F/II**

Elastomer: natural rubber (NR), alternatively other qualities

Soft = 40 ± 5° Shore A

Medium = 55 ± 5° Shore A

Hard = 70 ± 5° Shore A



Item number	Dimensions (mm)					fd [mm] L=2 x B	Pressure load Fv [N]		
	B	H	L	s	s1		40 Sh-A	55 Sh-A	70 Sh-A
810 001	50	35	2000	10	5	3,5	2220	4305	8295
810 002	50	40	2000	10	5	4	1865	3610	7000
810 003	50	45	2000	10	5	4,5	1645	3180	6165
810 004	50	50	2000	10	5	5	1490	2885	5600
810 005	50	55	2000	10	5	5,5	1380	2675	5175
810 006	50	60	2000	10	5	6	1300	2515	4870
810 007	50	70	2000	10	5	7	1185	2295	4445
810 008	60	35	2000	11	5	3,5	2915	5635	10920
810 009	60	60	2000	11	5	6	2080	4030	7800
810 010	70	30	2000	12	5	3	9750	18870	36600
810 011	70	45	2000	12	5	4,5	4430	8550	16560
810 012	70	55	2000	12	5	5,5	3455	6710	12925
810 013	70	60	2000	12	5	6	3170	6120	11880
810 014	70	70	2000	12	5	7	2780	5375	10430
810 015	70	80	2000	12	5	8	2530	4890	9440
810 016	100	40	2000	15	5	4	19760	38200	74000
810 017	100	45	2000	15	5	4,5	15075	29160	56250
810 018	100	50	2000	15	5	5	12250	23750	45900
810 019	100	55	2000	15	5	5,5	10450	20185	39050
810 020	100	60	2000	15	5	6	9180	17760	34320
810 021	100	70	2000	15	5	7	7560	14560	28210
810 022	100	80	2000	15	5	8	6560	12720	24560

There is a possible deviation of approx. +/-20% in the above values due to production and hardness tolerances.

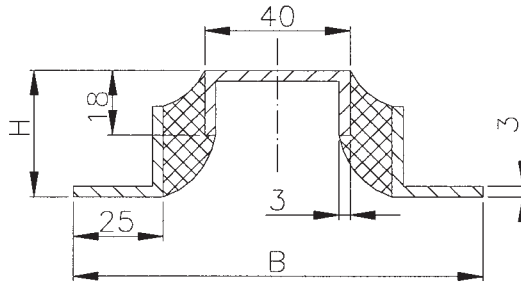
# RAILS

- Dimensions/spring parameters:**

**TYPE U**

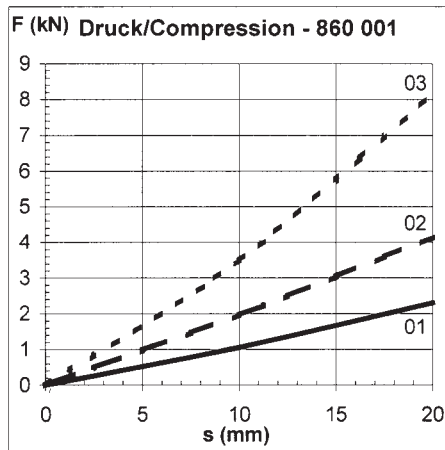
This type of rail offers good lateral stability with especially soft vertical spring ration. The rail can be cut in smaller pieces and equipped with holes or threads acc. to the drawings or requirements.

Elastomer: natural rubber (NR)  
 Soft =  $40 \pm 5^\circ$  Shore A  
 Medium =  $55 \pm 5^\circ$  Shore A  
 Hard =  $70 \pm 5^\circ$  Shore A



Item number	Dimensions (mm)			Pressure load for L=100			
	B	H	L	fd in mm	Fv in N		
					40°	55°	70°
860 001	113	35	2000	10	1,280	1,970	3,500
				20	1,870	3,450	8,170

- Spring characteristics:**



There is a possible deviation of approx. +/-20% in the above values due to production and hardness tolerances.